



[Home Page](#)

[Linear Potentiometers](#)

[Single-Turn Potentiometers](#)

[Multi-Turn Potentiometers](#)

[Turn-Counting Dials](#)

[Industrial Joystick Controls](#)

[Industrial Foot Controllers](#)

[Valve Actuators](#)

[ROHS/WEEE](#)

[Cross Reference](#)

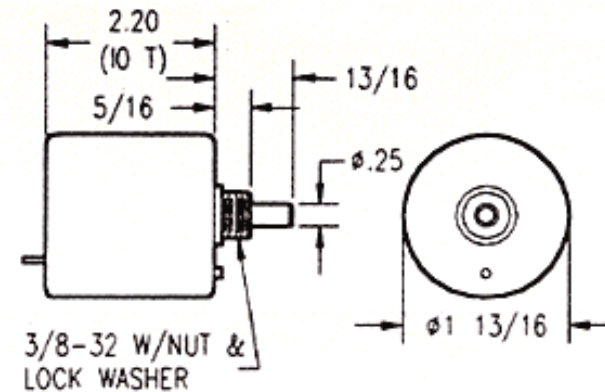
[ETI Systems Sales Reps](#)

[ETI Systems Distributors](#)

phone: 760.929.0749

[eti@etisystems.com](mailto:eti@etisystems.com)

## MR46 Wirewound Precision Multi-Turn Potentiometer



### MR46 Multi-Turn Potentiometer

- Standard as 3, 5, and 10 turn models.
- Wirewound Element. Aluminum Anodized Housing and Servo Lid
- Stainless Steel Shaft. Silver Plated Terminals. Bushing Bearings.
- Bushing Mount Standard. Servo Mount Available
- Recommended for Robotics, Heavy Equipment, and Industrial Applications
- Life Expectancy: 2 million turns
- Resistance Tolerance:  $\pm 5\%$  standard ( $\pm 1\%$  special order)
- Linearity Tolerance:  $\pm 0.3\%$  standard ( $\pm 0.1\%$  special order)
- Power Rating: 5 Watts (10 turn) 2.5 Watts (5 turn) 2 Watts (3 turn)
- Rotational Torque: 28 oz. in.
- [Click here](#) for information on [Turn Counting Dials](#)



MR46B

[Engineering Drawing \(PDF\)](#)

MR46S

[Engineering Drawing \(PDF\)](#)

For Additional Product Information,  
Refer to the [Multi-Turn Potentiometer Design Guide](#)

## Request For Quotation (Requires User Registration)

### Electrical Specifications:

Resistance Value (0.5 to 1M ohms available)

---

### Mechanical Options:

- **B** Bushing Mount
  - **S** Servo Mount (special order)  
Number of Turns (10 turns standard)
  - **LS** Limit Switches (special order)
  - **SS** O-Ring Shaft Seal (special order)
  - **SB** Sealed Body (special order)
- 

### Comments & Special Requirements:

**Quantity Required**

**Date Required**

**Return to:** [Multi-Turn Potentiometer Selection Guide](#)

Call ETI Systems at **(760)929-0749** to order by phone  
or for assistance with your custom application